

Flexy Compact
 Ambient unit on cupboard (1GN) with
 wheels, overshelf with LED lights,
 H=900mm

ITEM # _____

MODEL # _____

NAME # _____

SIS # _____

AIA # _____


322044 (F00N1AW00S)

 Ambient Unit on cupboard
 (1 GN) with wheels and two
 stainless steel tray sliders,
 H=900mm

Short Form Specification

Item No. _____

Compact design, ideal for space saving environments. AISI 304 Foldable tray sliders on long sides. Unit mounted on 125 mm wheels 2 swivel and 2 with brakes. Top provides ample displaying or workspace surface. Sturdy body construction with laminated panelings on 4 sides. 900mm worktop height.

Main Features

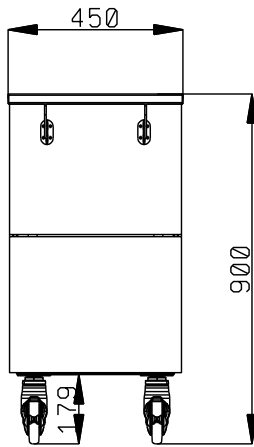
- Perfect compact design makes it ideal for space saving environments.
- CB and CE certified by a third party notified body.
- Soft closing doors on operator side.
- Available options with online configurator: colors, tray sliders, overshelves, feet/wheels with desired diameter, height 750mm for kids.
- Top provides ample displaying or workspace surface.
- Optional plinth can be installed to cover the feet or the wheels.
- AISI 304 Tray slider in flush mounted stainless steel is installed on long sides and they can also be folded down to facilitate passage of the units through doorways.
- Ideal for servery lines without an operator.
- Unit mounted on 125 mm wheels 2 swivel and 2 with brakes.
- Food introduced at the correct temperature maintains its core temperature according to Afnor Standards.
- Available dimensions: 1, 2, 3, 4 GN.

Construction

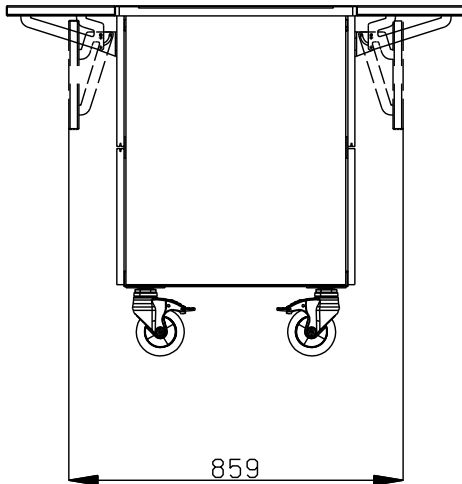
- Top in AISI 304.
- Sturdy construction with laminated panelings on 4 sides.

APPROVAL: _____

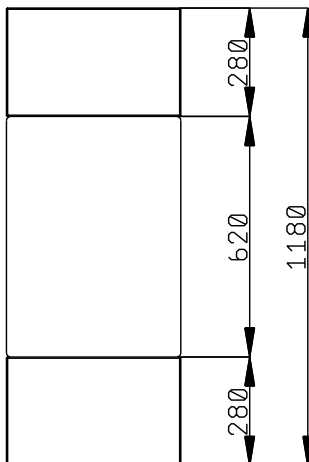
Front



Side



Top



Key Information:

| | |
|------------------------------|---------------------|
| N° of doors: | 1 |
| 322044 (F00N1AW00S) | |
| External dimensions, Width: | 450 mm |
| External dimensions, Depth: | 1180 mm |
| External dimensions, Height: | 900 mm |
| Net weight: | 48 kg |
| Shipping height: | 930 mm |
| Shipping width: | 470 mm |
| Shipping depth: | 880 mm |
| Shipping volume: | 0.38 m ³ |